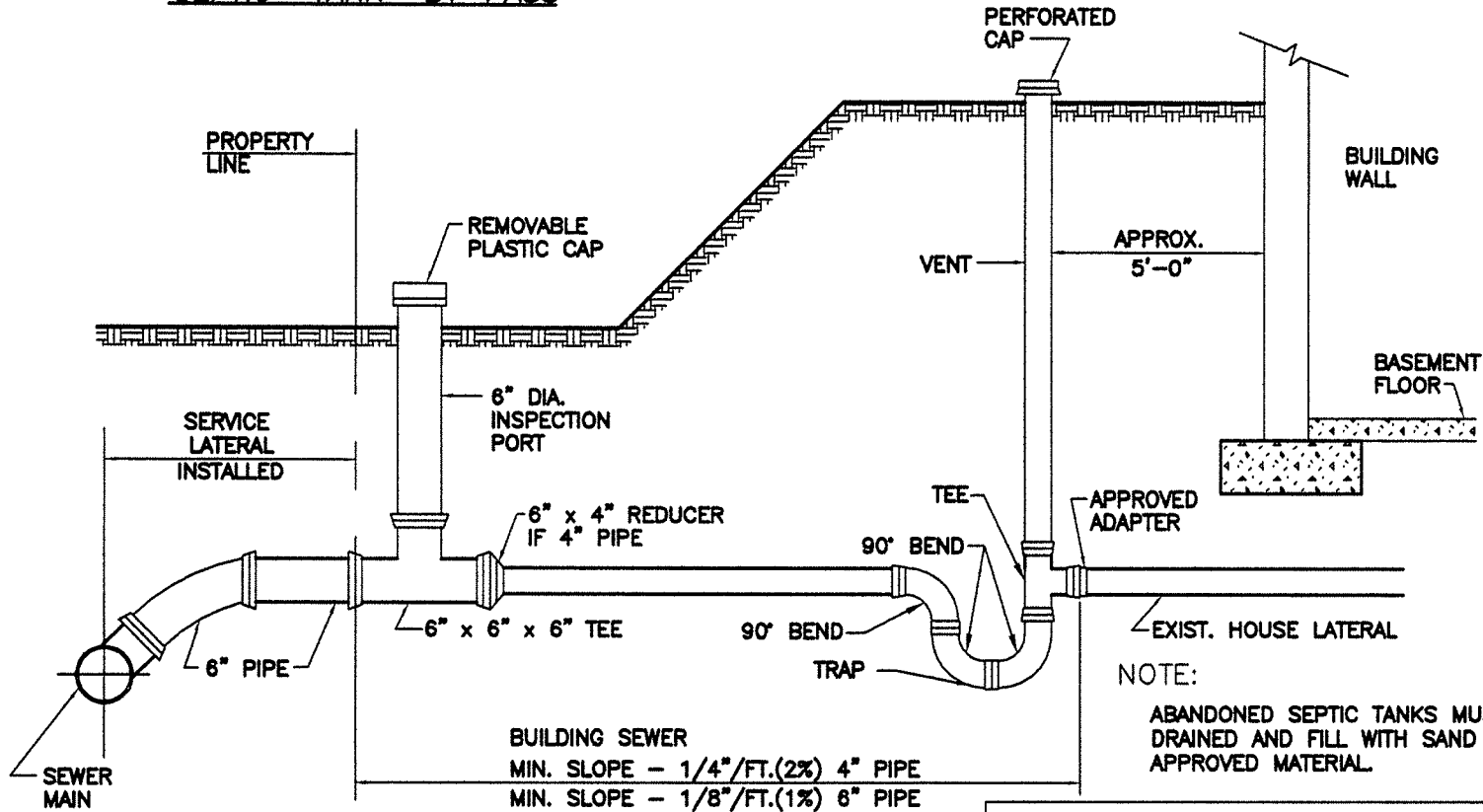
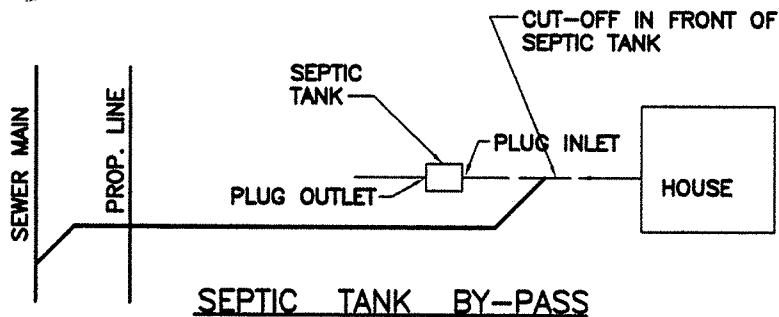


**CONEMAUGH TOWNSHIP, SOMERSET COUNTY
SANITARY SEWER RULES AND REGULATIONS**

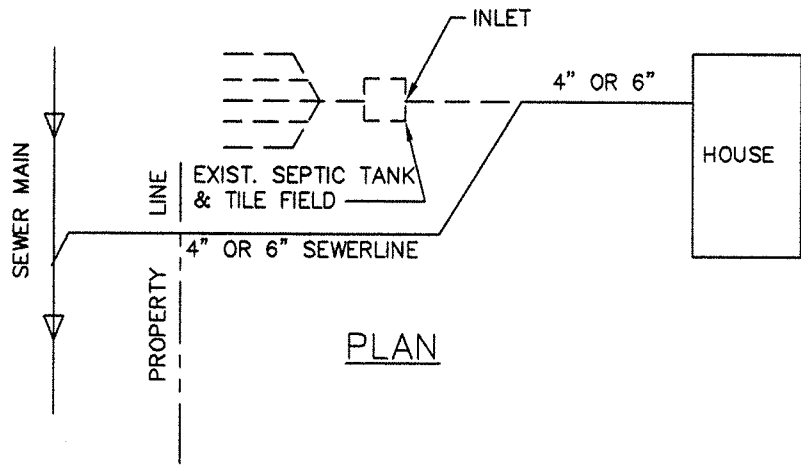
TYPICAL DETAILS

<u>PLATE</u>	<u>DESCRIPTION</u>
I	SERVICE CONNECTION TO SANITARY SEWER
II	BUILDING SEWER CONNECTION INSTALLATION TO BYPASS EXISTING SEPTIC TANK
III	PIPE BEDDING
IV	PRECAST MANHOLE
V	GREASE TRAP
VI	PRE-CAST SHALLOW MANHOLE
VII	WATERTIGHT MANHOLE FRAME AND COVER
VIII	STANDARD MANHOLE FRAME AND COVER
IX	SEWER SADDLE CONNECTION TO EXISTING COLLECTOR SEWER
X	MANHOLE CHANNEL ORIENTATION
XI	DROP CONNECTION TO STANDARD MANHOLE
XII	STANDARD CLEAN-OUT
XIII	TYPICAL SERVICE CONNECTION TO NEW COLLECTOR SEWER
XIV	GRINDER PUMP INSTALLATION OUT-OF-DOOR
XV	GRINDER PUMP INSTALLATION OUT-OF-DOOR
XVI	GRINDER PUMP DISCHARGE CONNECTION TO GRAVITY SEWER
XVII	GRINDER PUMP DISCHARGE CONNECTION TO A PRESSURE SEWER FORCE MAIN

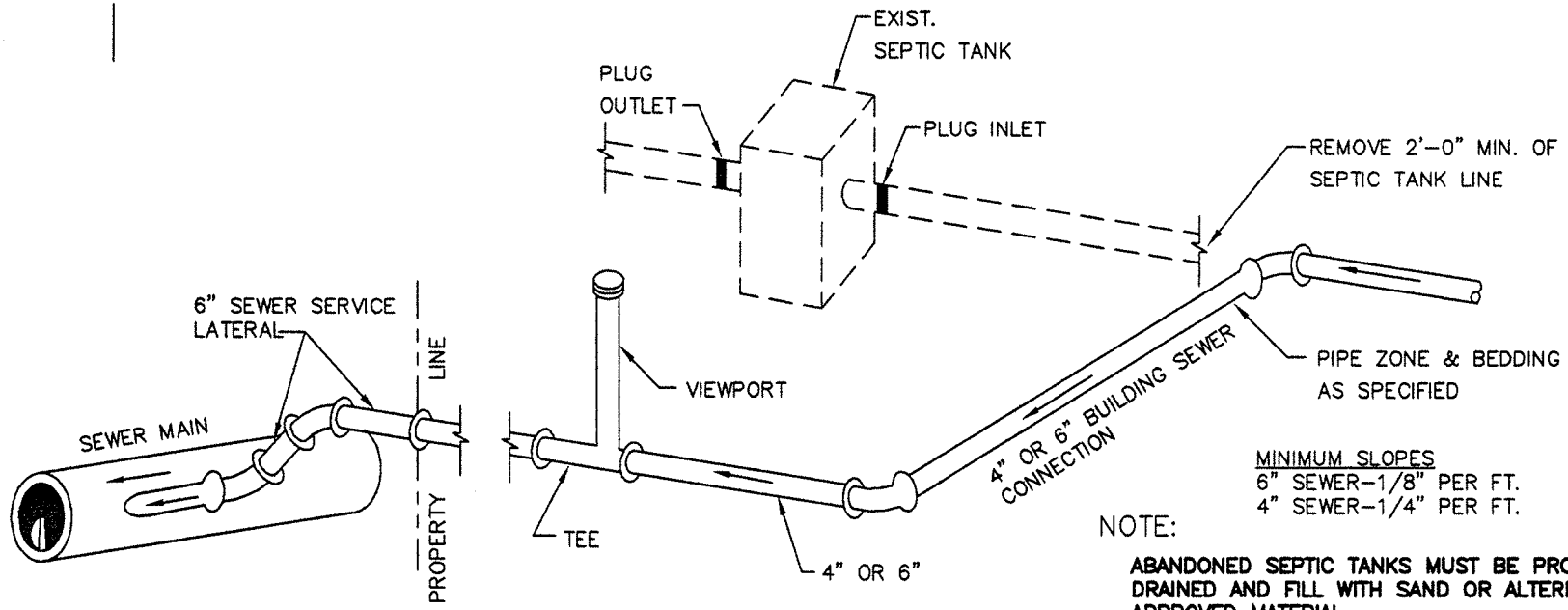


TYPICAL SEWER CONNECTION
N.T.S.

TYPICAL DETAIL	
SERVICE CONNECTION TO SANITARY SEWER	
CONEMAUGH TWP. SOMERSET CO.	PLATE 1



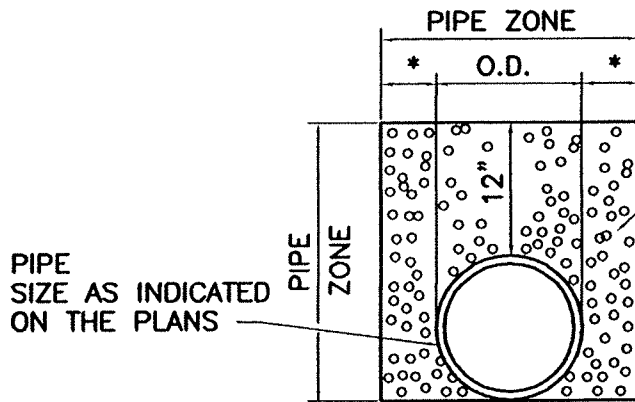
PLAN



ISOMETRIC SECTION
NTS.

NOTE:
 ABANDONED SEPTIC TANKS MUST BE PROPERLY
 DRAINED AND FILL WITH SAND OR ALTERNATE
 APPROVED MATERIAL.

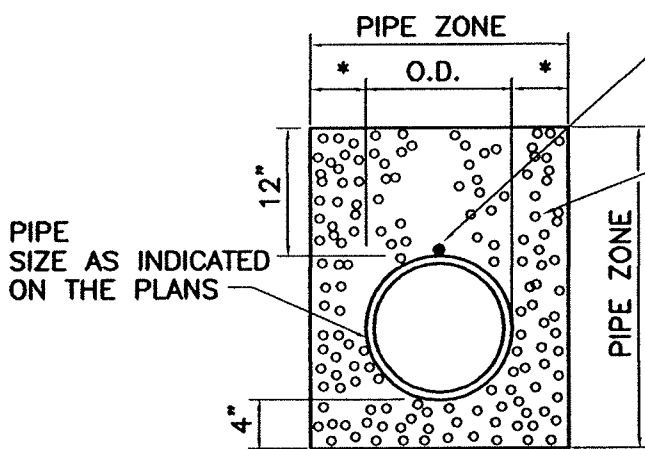
TYPICAL DETAIL	
BUILDING SEWER CONNECTION INSTALLATION TO BYPASS EXISTING SEPTIC TANK	
CONEMAUGH TWP. SOMERSET CO.	PLATE II



PIPE
SIZE AS INDICATED
ON THE PLANS

PIPE ZONE BEDDING MATERIAL
AS SPECIFIED, COMPACTED
IN 4" LAYERS

DUCTILE IRON PIPE



PIPE
SIZE AS INDICATED
ON THE PLANS

TYPICAL FOR PVC PIPE CONTINUOUS
NO. 14 WIRE TAPED TO ALL PIPE.
BRING WIRE TO SURFACE INSIDE
VALVE BOXES.

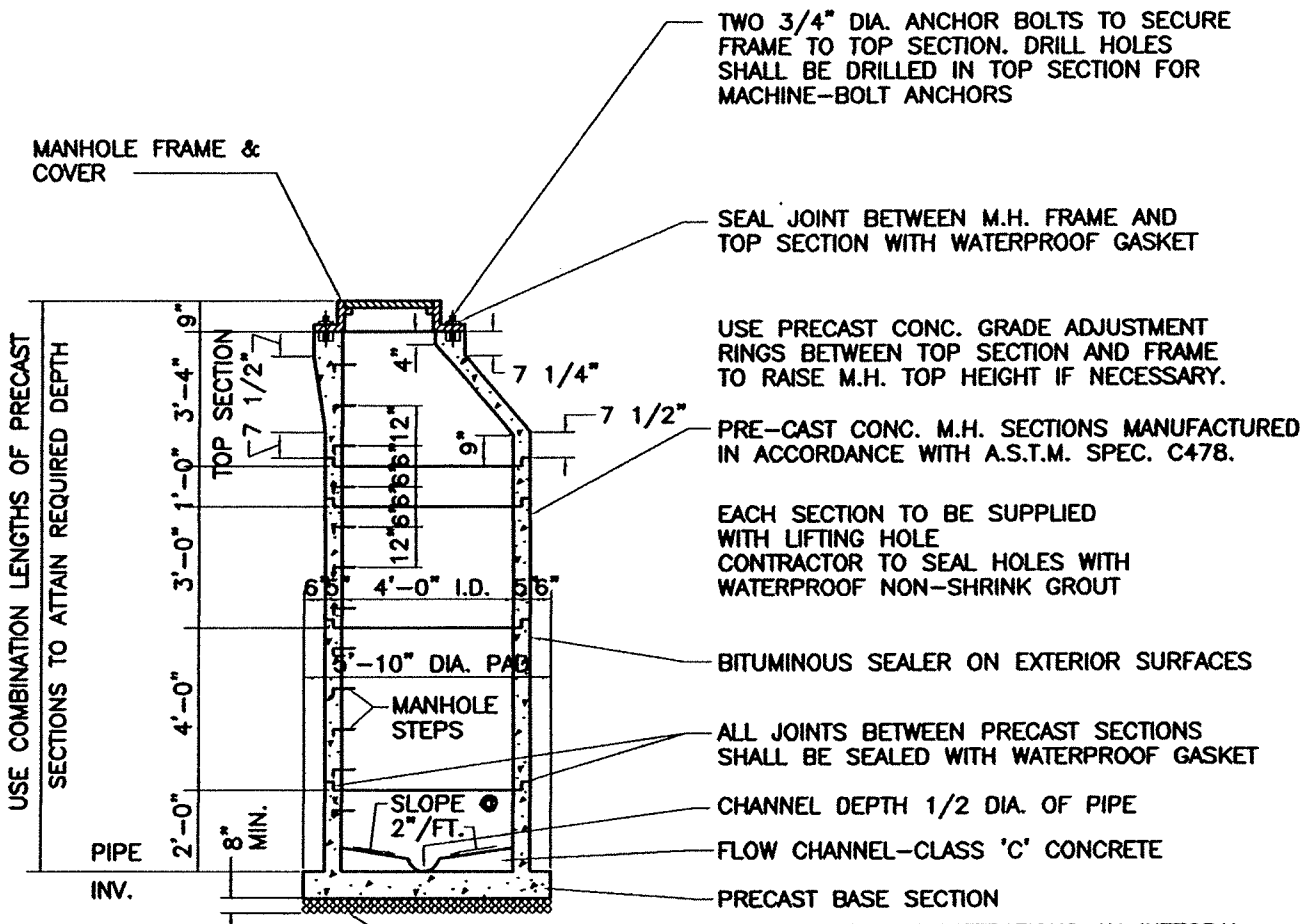
PIPE ZONE BEDDING MATERIAL
AS SPECIFIED, COMPACTED
IN 4" LAYERS

* 12" BEYOND PIPE WITHIN
PENN D.O.T. RIGHT-OF-WAY,
ALL OTHER AREAS SHALL
BE 8" BEYOND PIPE

PVC PIPE

PIPE BEDDING
N.T.S.

TYPICAL DETAIL		
<u>PIPE BEDDING</u>		
CONEMAUGH TWP. SOMERSET CO.	PLATE	III



MANHOLE FRAME & COVER

TWO 3/4" DIA. ANCHOR BOLTS TO SECURE FRAME TO TOP SECTION. DRILL HOLES SHALL BE DRILLED IN TOP SECTION FOR MACHINE-BOLT ANCHORS

SEAL JOINT BETWEEN M.H. FRAME AND TOP SECTION WITH WATERPROOF GASKET

USE PRECAST CONC. GRADE ADJUSTMENT RINGS BETWEEN TOP SECTION AND FRAME TO RAISE M.H. TOP HEIGHT IF NECESSARY.

PRE-CAST CONC. M.H. SECTIONS MANUFACTURED IN ACCORDANCE WITH A.S.T.M. SPEC. C478.

EACH SECTION TO BE SUPPLIED WITH LIFTING HOLE CONTRACTOR TO SEAL HOLES WITH WATERPROOF NON-SHRINK GROUT

BITUMINOUS SEALER ON EXTERIOR SURFACES

ALL JOINTS BETWEEN PRECAST SECTIONS SHALL BE SEALED WITH WATERPROOF GASKET

CHANNEL DEPTH 1/2 DIA. OF PIPE

FLOW CHANNEL-CLASS 'C' CONCRETE

PRECAST BASE SECTION

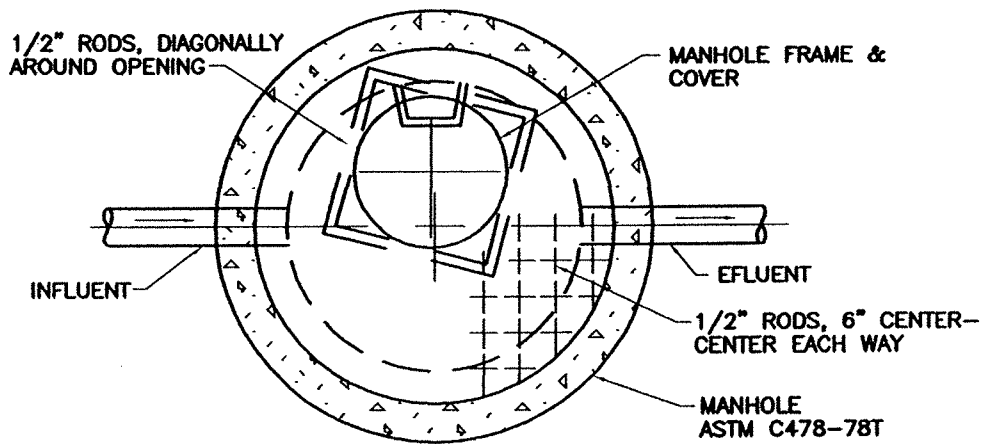
NOTE: 1. AT ALL PIPE PENETRATIONS AN INTEGRAL RUBBER GASKET SHALL BE CAST INTO THE PIPE OPENING OF PRECAST SECTIONS AT THE TIME OF MANUFACTURE. RUBBER GASKET TO CONFORM TO CONTRACT SPECIFICATIONS.

USE COMBINATION LENGTHS OF PRECAST SECTIONS TO ATTAIN REQUIRED DEPTH

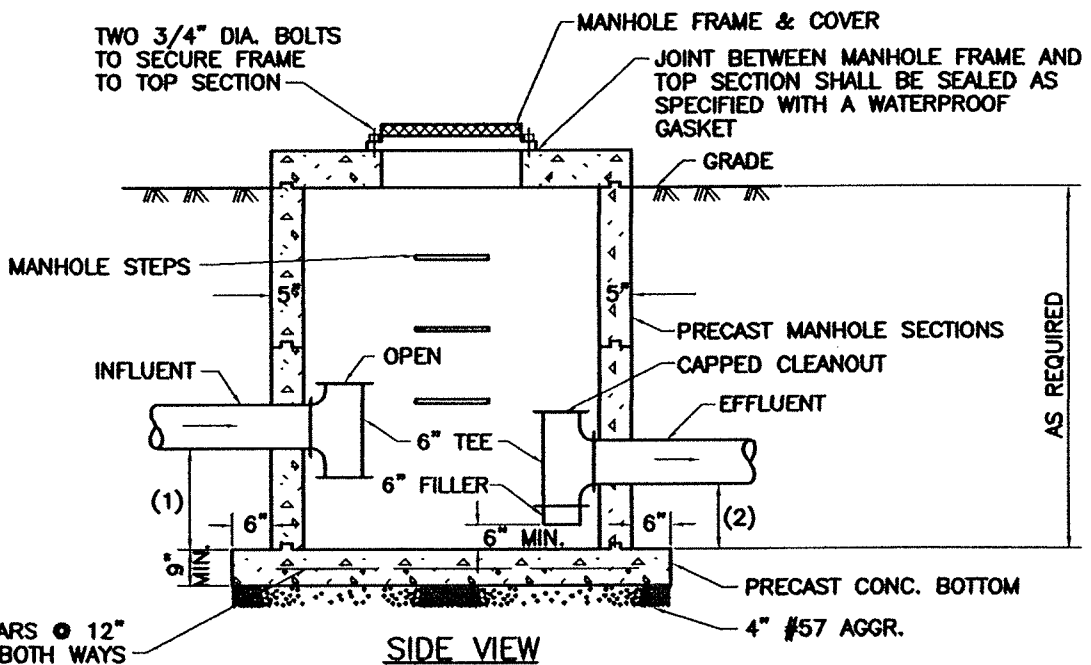
PIPE INV.

PRECAST MANHOLE
N.T.S.

TYPICAL DETAIL	
PRECAST MANHOLE	
CONEMAUGH TWP. SOMERSET CO.	PLATE IV



TOP VIEW



SIDE VIEW

4' DIA. M.H. GREASE TRAP CAPACITY

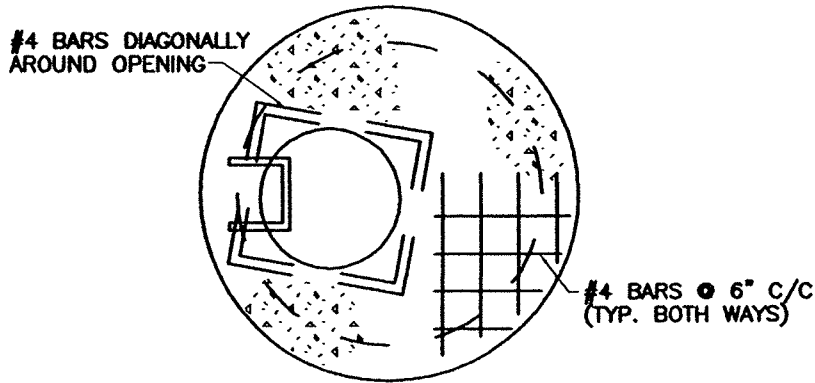
100 GALLONS	(1)=15"	(2)=12"
200 GALLONS	(1)=27"	(2)=24"
300 GALLONS	(1)=39"	(2)=36"

GREASE TRAP
N.T.S.

5' DIA. M.H. GREASE TRAP CAPACITY

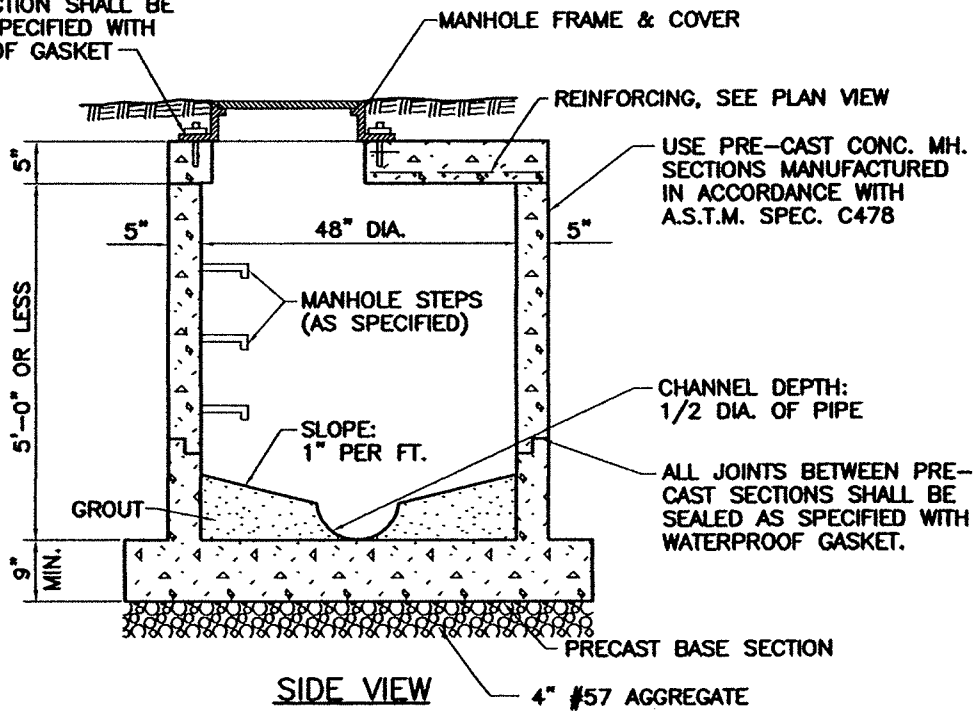
100 GALLONS	(1)=11"	(2)=08"
200 GALLONS	(1)=19"	(2)=16"
300 GALLONS	(1)=27"	(2)=24"
400 GALLONS	(1)=35"	(2)=32"
500 GALLONS	(1)=43"	(2)=40"

TYPICAL DETAIL		
GREASE TRAP		
CONEMAUGH TWP. SOMERSET CO.	PLATE	V



PLAN

JOINT BETWEEN MANHOLE FRAME AND TOP SECTION SHALL BE SEALED AS SPECIFIED WITH A WATERPROOF GASKET

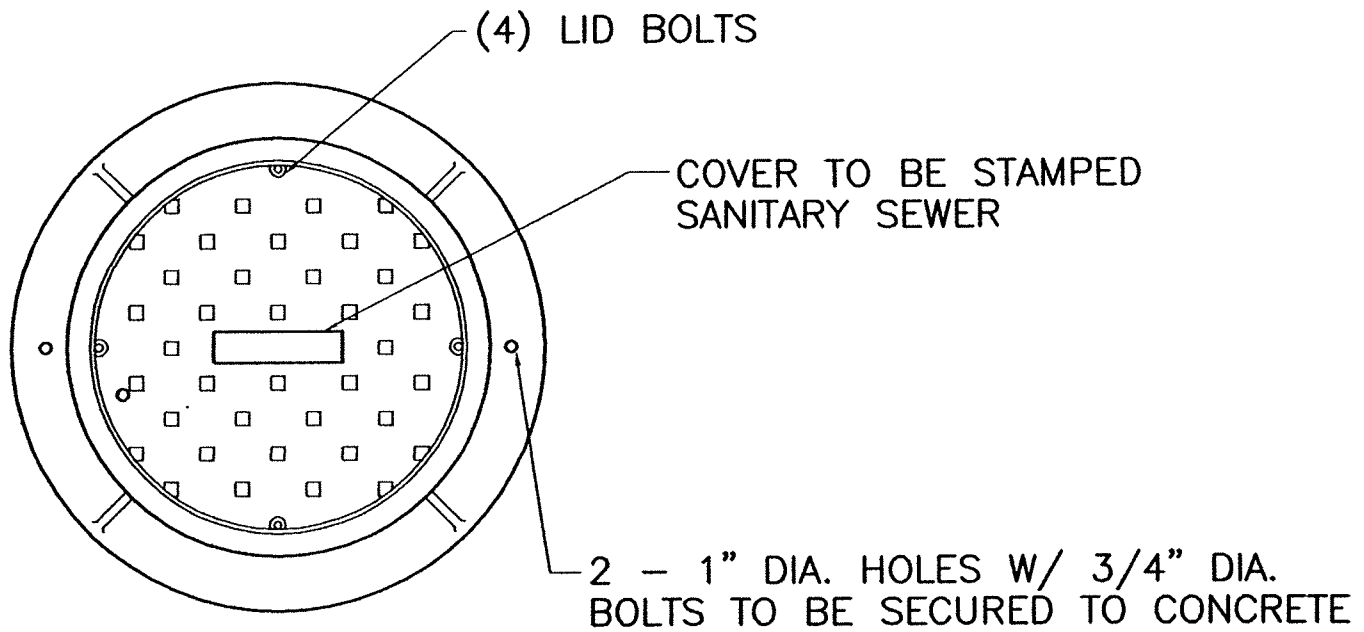


SIDE VIEW

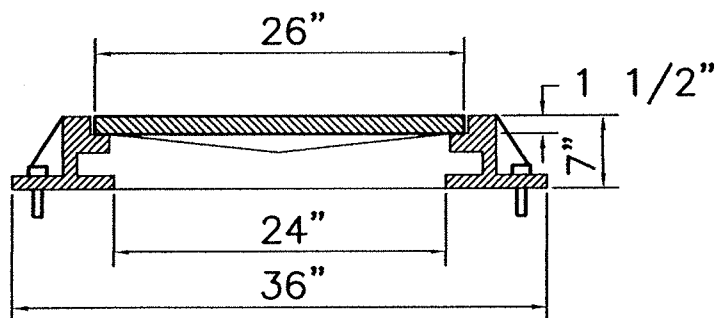
PRE-CAST SHALLOW MANHOLE

N.T.S.

TYPICAL DETAIL	
<u>PRE-CAST</u> <u>SHALLOW MANHOLE</u>	
CONEMAUGH TWP. SOMERSET CO.	PLATE VI



TOP VIEW

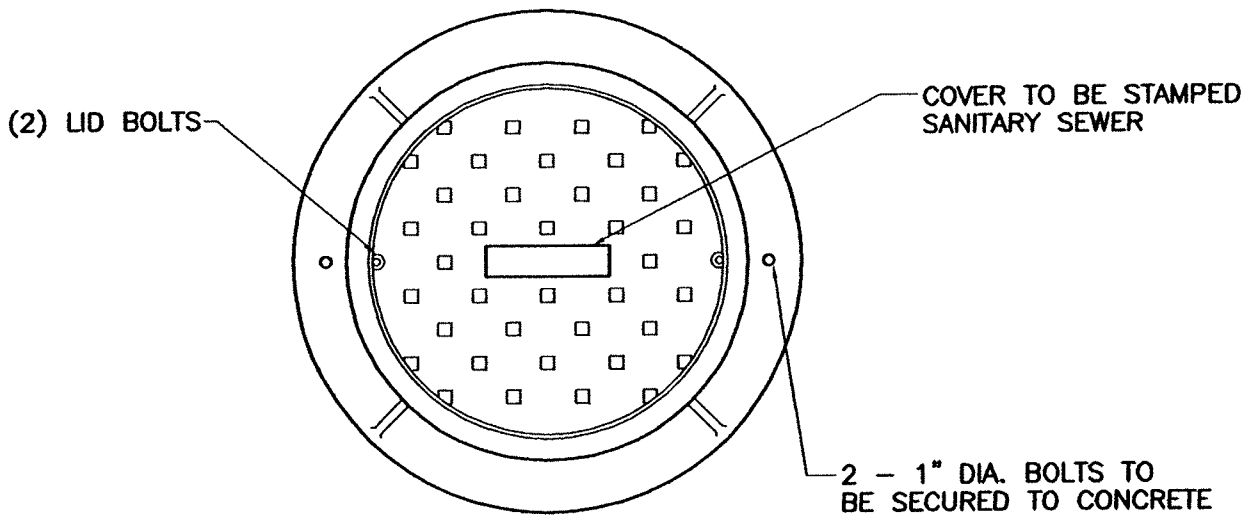


SECTION

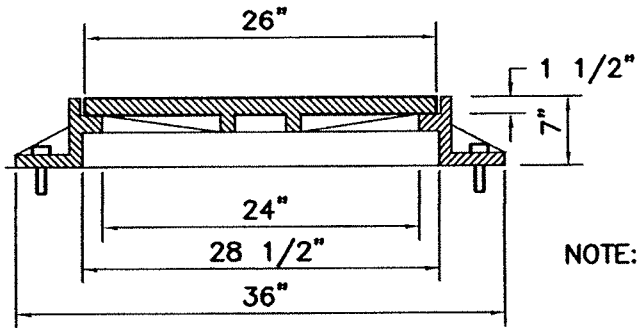
WATERTIGHT MANHOLE
FRAME AND COVER
 N.T.S.

- NOTE: 1. NEENAH SERIES R-1916-F DIMENSIONS ARE SHOWN.
 2. WATERPROOF GASKET TO BE INSTALLED BETWEEN FRAME AND CONCRETE SURFACE.

TYPICAL DETAIL		
<u>WATERTIGHT MANHOLE</u> <u>FRAME AND COVER</u>		
CONEMAUGH TWP. SOMERSET CO.	PLATE	VII



TOP VIEW



SECTION

NOTE: 1. NEENAH SERIES R-1642
DIMENSIONS ARE SHOWN.
2. WATERPROOF GASKET TO BE
INSTALLED BETWEEN FRAME
AND CONCRETE SURFACE.

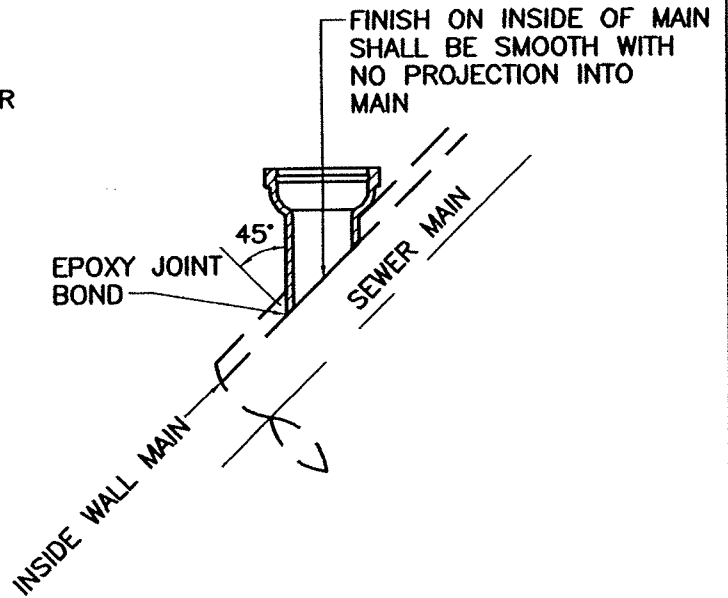
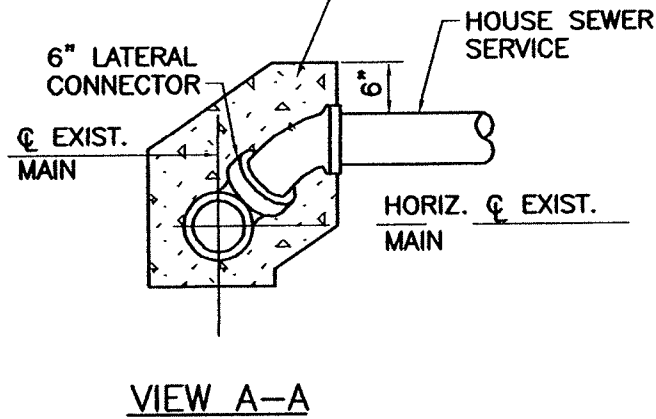
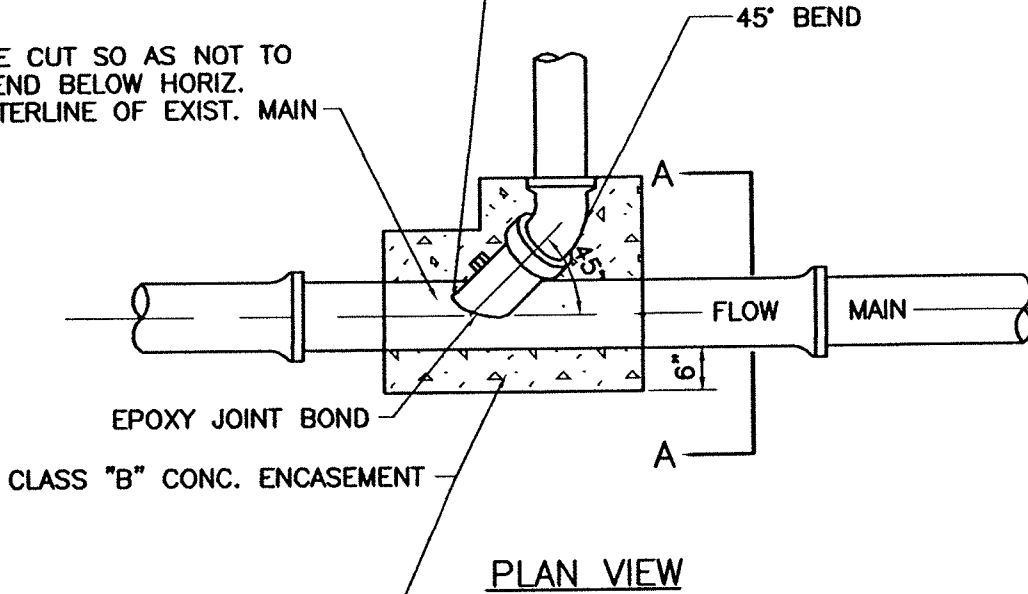
STANDARD MANHOLE
FRAME AND COVER

N.T.S.

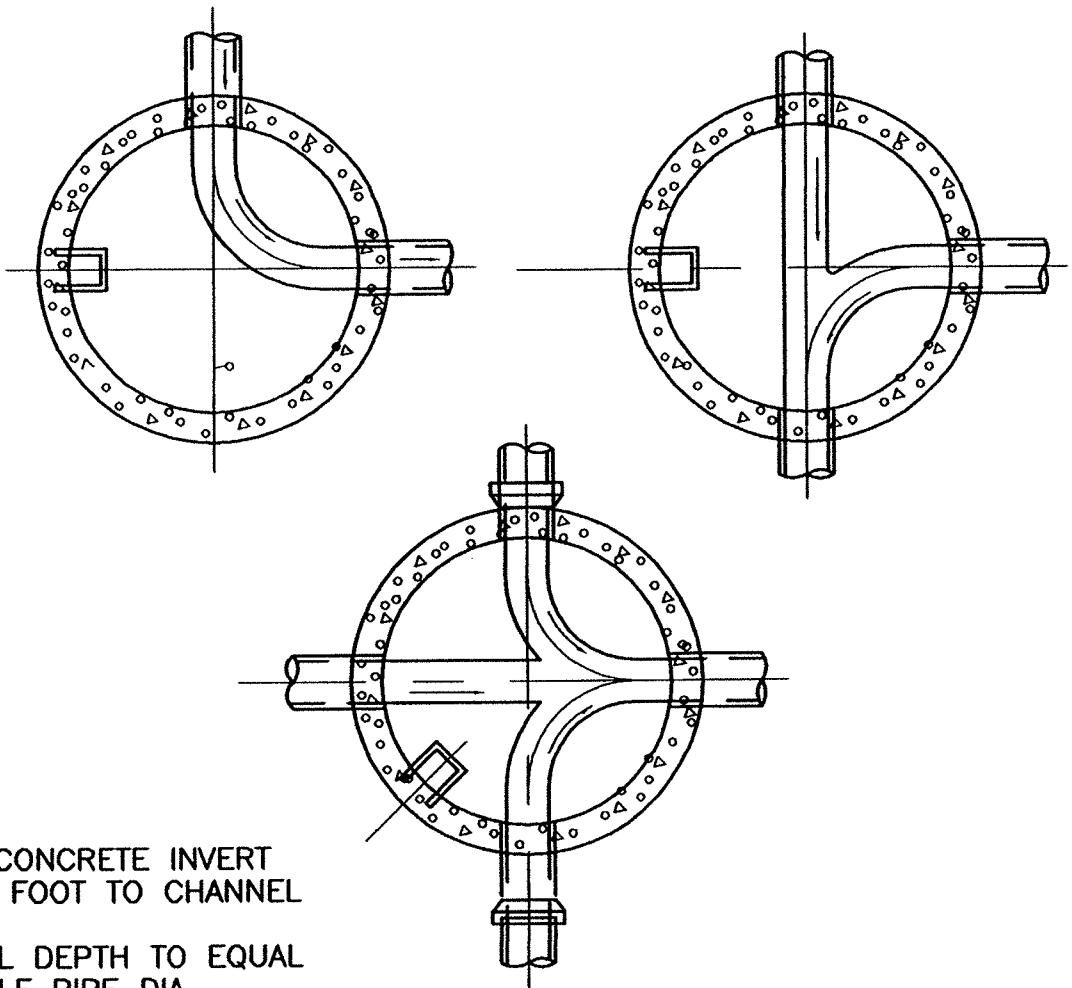
TYPICAL DETAIL		
<u>STANDARD MANHOLE FRAME AND COVER</u>		
CONEMAUGH TWP. SOMERSET CO.	PLATE	VIII

NEAT HOLE CUT IN EXIST. PIPE TO ACCOMMODATE 6" I.D. LATERAL CONNECTOR

NOTE:
HOLE CUT SO AS NOT TO EXTEND BELOW HORIZ. CENTERLINE OF EXIST. MAIN



TYPICAL DETAIL		
SEWER SADDLE CONNECTION TO EXISTING COLLECTOR SEWER		
CONEMAUGH TWP. SOMERSET CO.	PLATE	IX

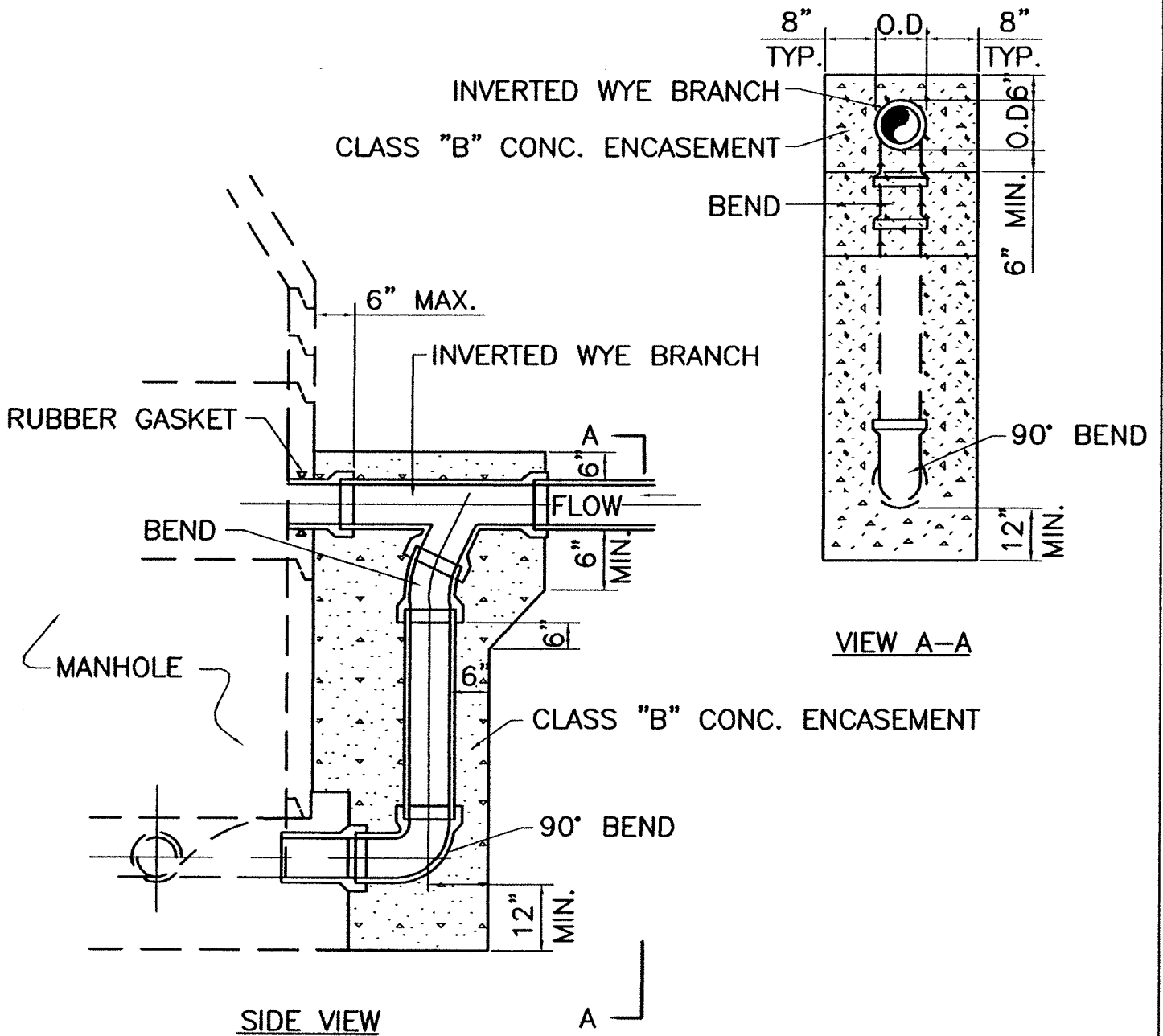


NOTES:

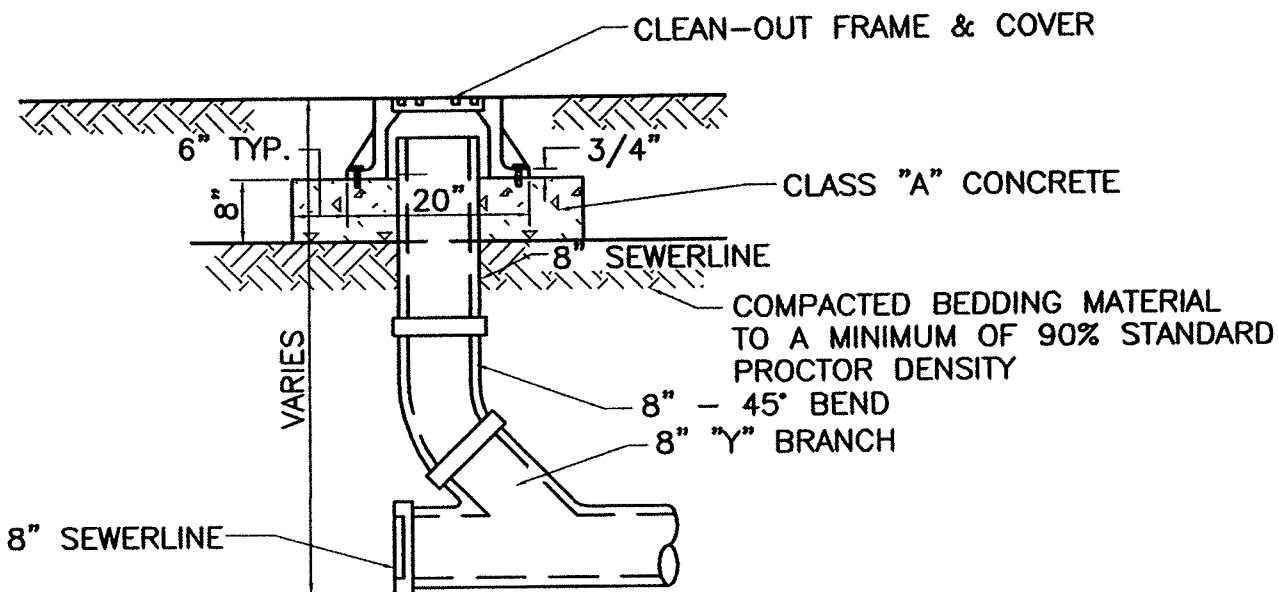
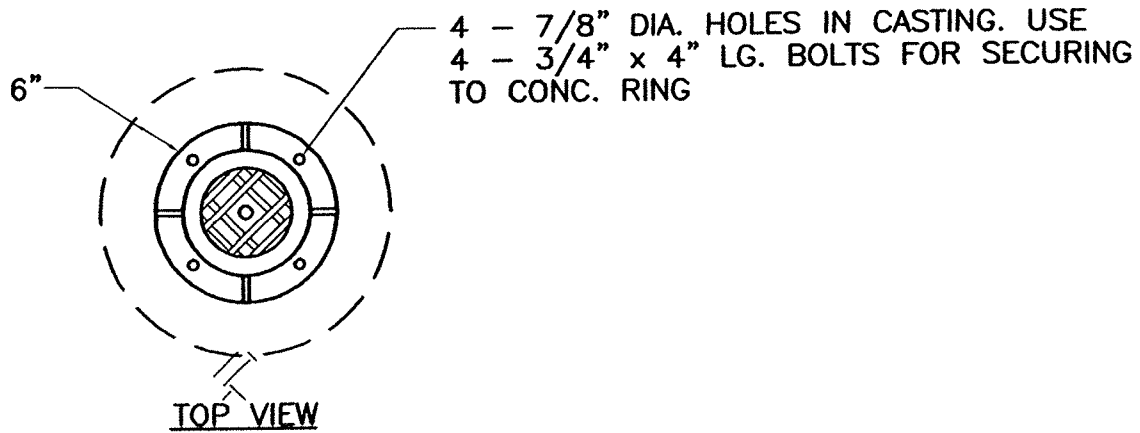
1. SLOPE CONCRETE INVERT
1" PER FOOT TO CHANNEL
2. CHANNEL DEPTH TO EQUAL
ONE HALF PIPE DIA.

MANHOLE CHANNEL ORIENTATION
N.T.S.

TYPICAL DETAIL		
<u>MANHOLE CHANNEL ORIENTATION</u>		
CONEMAUGH TWP. SOMERSET CO.	PLATE	X



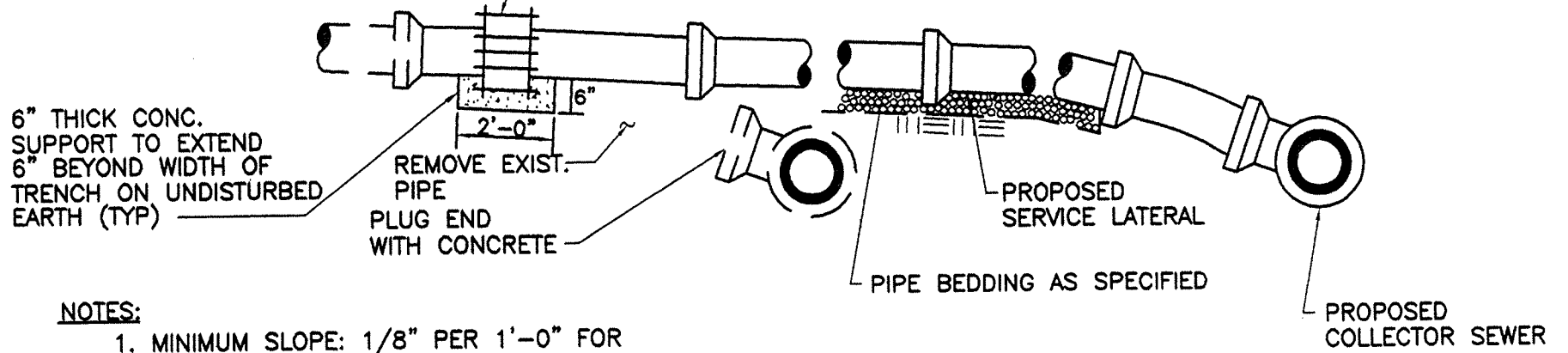
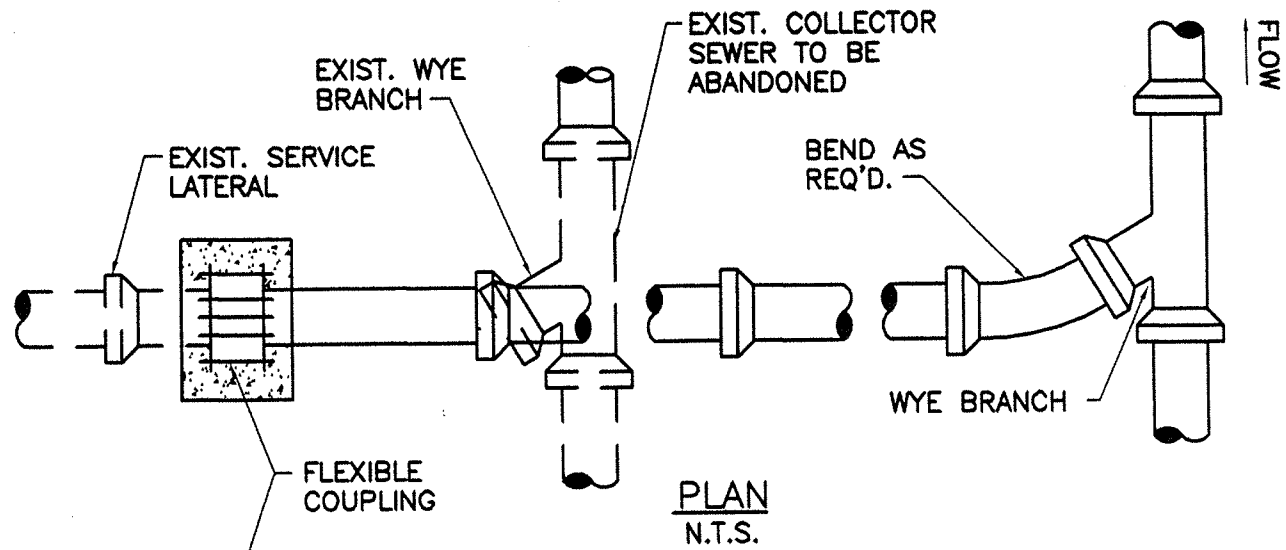
TYPICAL DETAIL		
<u>DROP CONNECTION TO</u> <u>STANDARD MANHOLE</u>		
CONEMAUGH TWP. SOMERSET CO.	PLATE	XI



SIDE VIEW

STANDARD CLEAN-OUT
N.T.S.

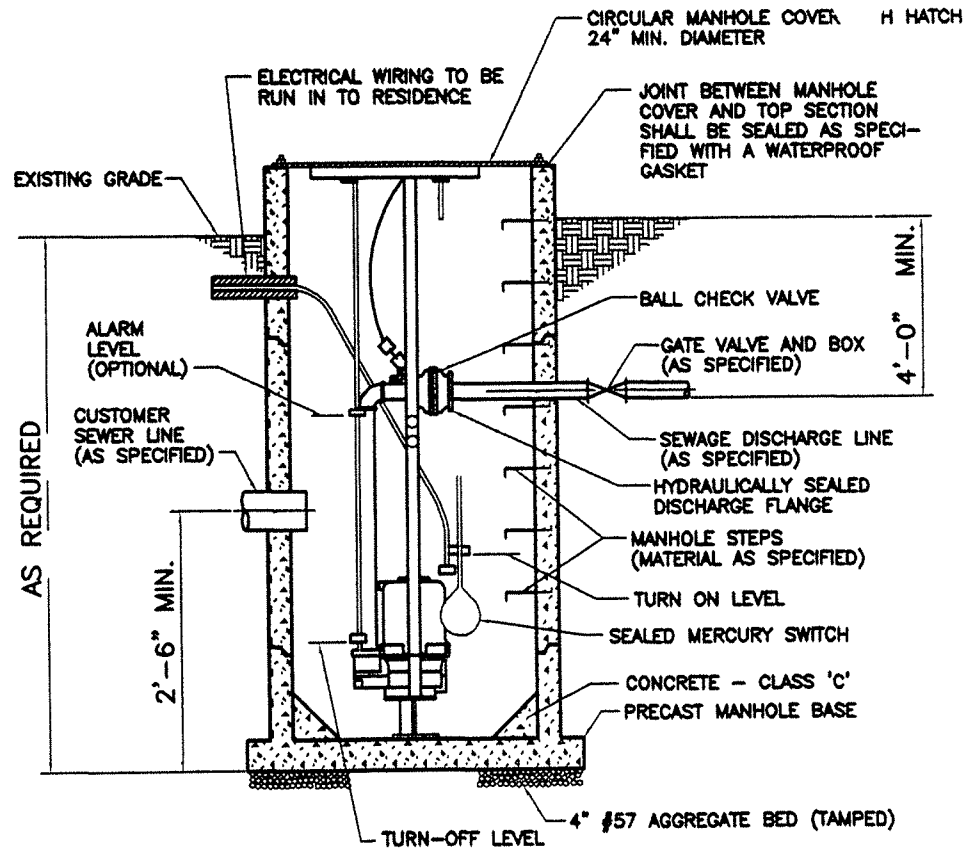
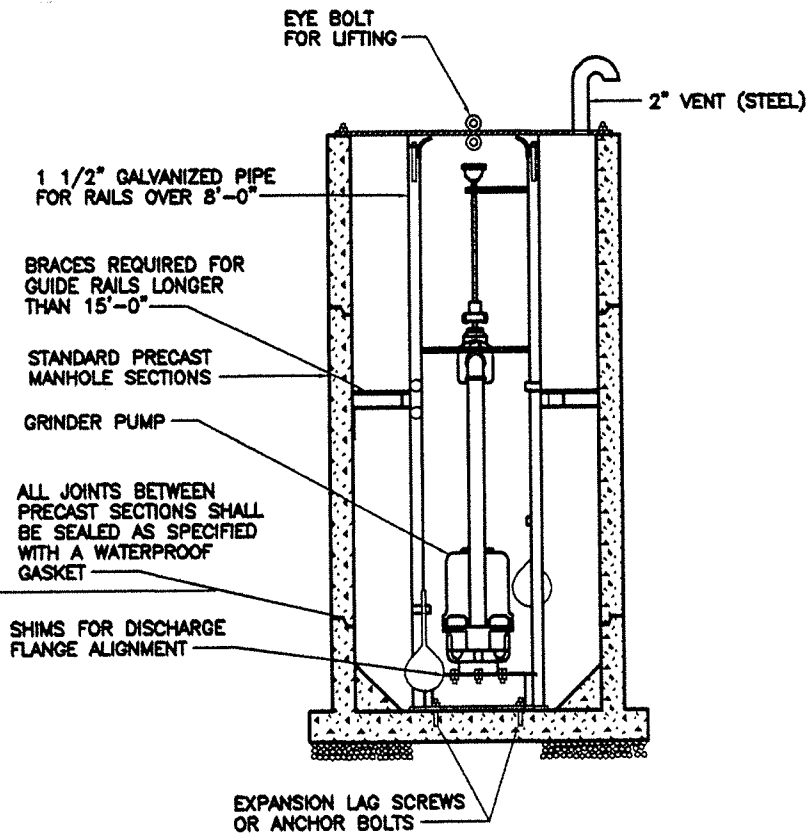
TYPICAL DETAIL	
<u>STANDARD CLEAN-OUT</u>	
CONEMAUGH TWP. SOMERSET CO.	PLATE XII



NOTES:

1. MINIMUM SLOPE: 1/8" PER 1'-0" FOR 6" LATERAL
2. CONNECTION TO SEWERS SHALL BE ENCASED IN CLASS 'C' CONCRETE. MIN. OF 6" ON ALL SIDES AT COLLECTOR SEWER.

TYPICAL DETAIL	
TYPICAL SERVICE CONNECTION TO NEW COLLECTOR SEWER	
CONEMAUGH TWP. SOMERSET CO.	PLATE XIII



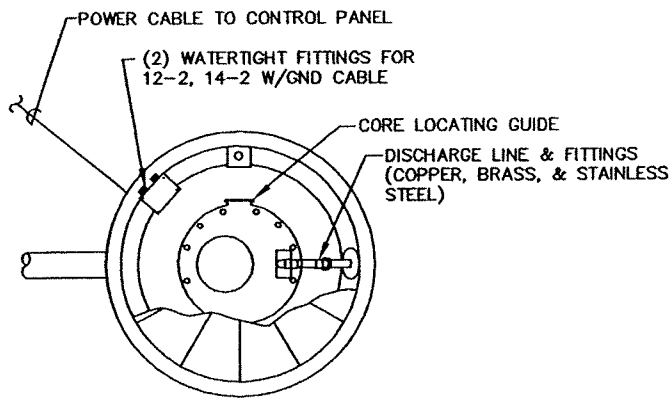
NOTE: 1. PRECAST CONCRETE MANHOLE SECTIONS MANUFACTURED IN ACCORDANCE WITH A.S.T.M. SPECIFICATION C478-64T, 3'-0" MIN. DIAMETER

SECTIONS

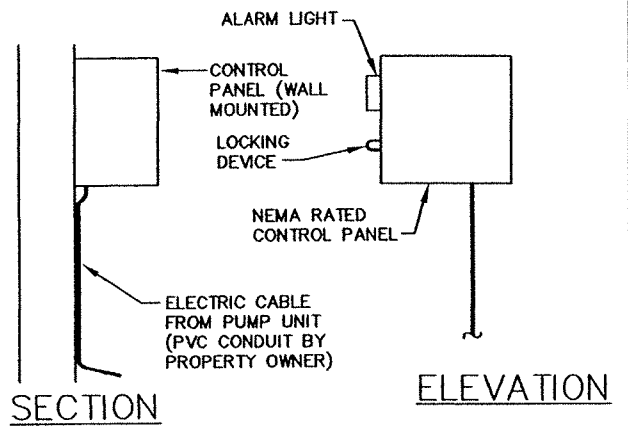
GRINDER PUMP INSTALLATION

OUT-OF-DOOR
 N.T.S.

TYPICAL DETAIL		
GRINDER PUMP INSTALLATION OUT-OF-DOOR		
CONEMAUGH TWP. SOMERSET CO.	PLATE	XIV



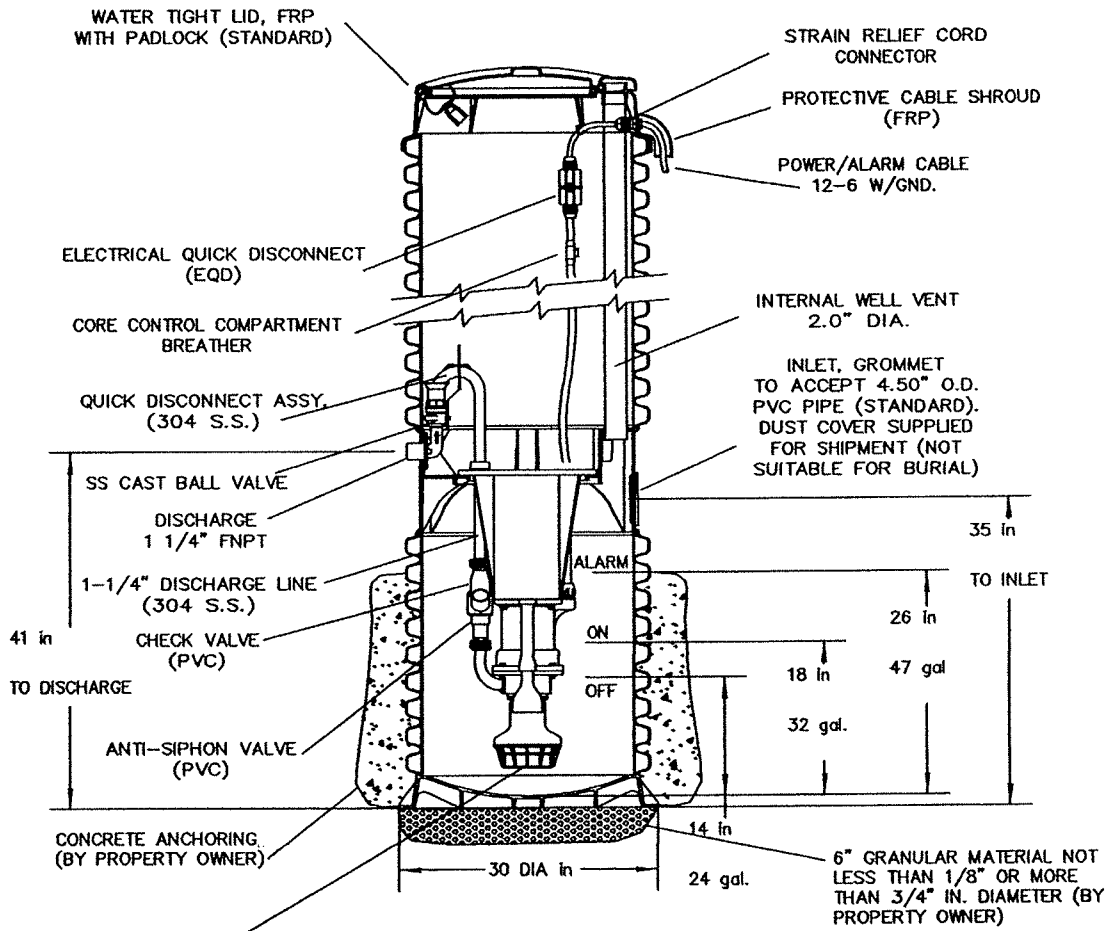
PLAN
NTS.



SECTION

ELEVATION

CONTROL PANEL
NTS.



SEMI-POSITIVE DISPLACEMENT TYPE PUMP
DIRECTLY DRIVEN BY A 1 HP MOTOR
CAPABLE OF DELIVERING 9 gpm AT 138' T.D.H.
(34 lpm AT 42m T.D.H.)

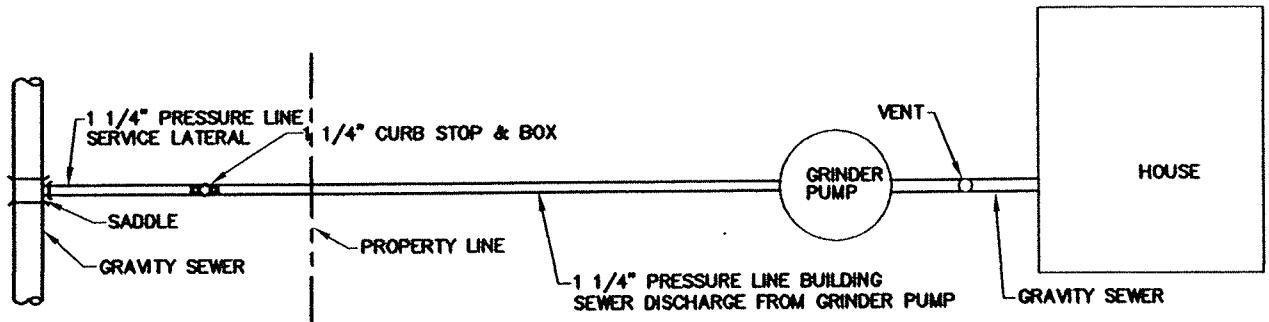
TYPICAL DETAIL

GRINDER PUMP INSTALLATION
OUT-OF-DOOR

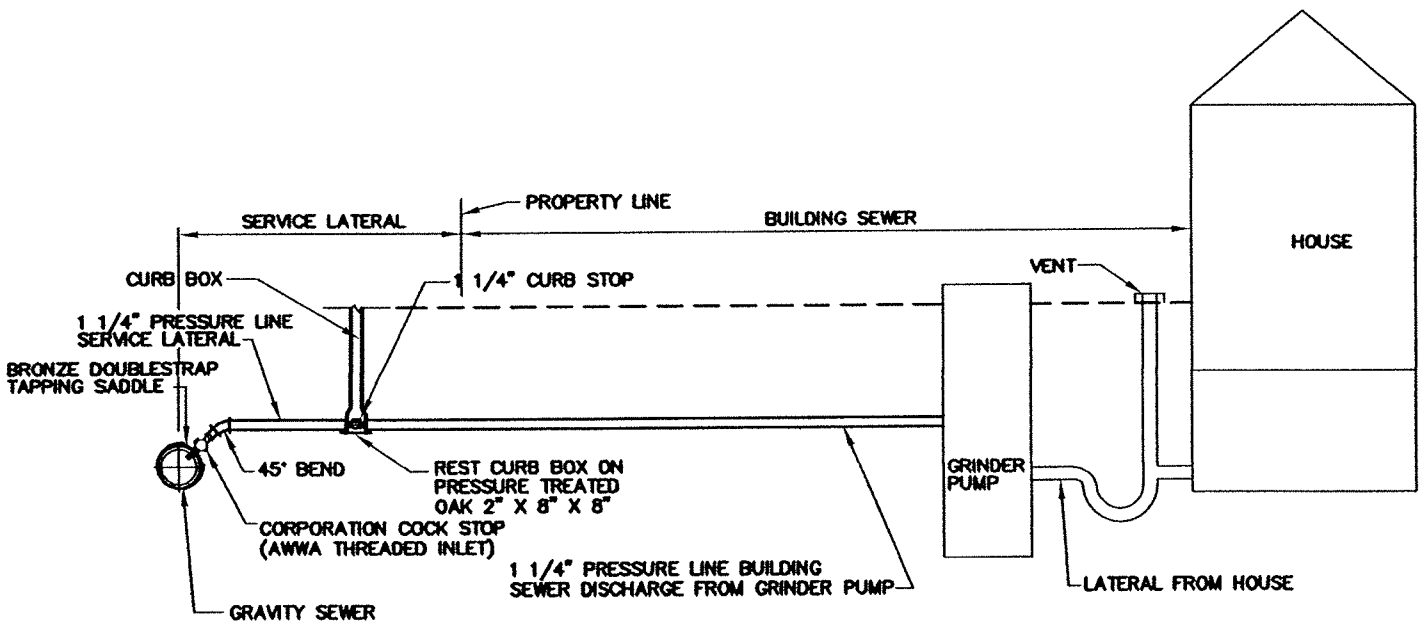
CONEMAUGH TWP. SOMERSET CO.

PLATE

XV

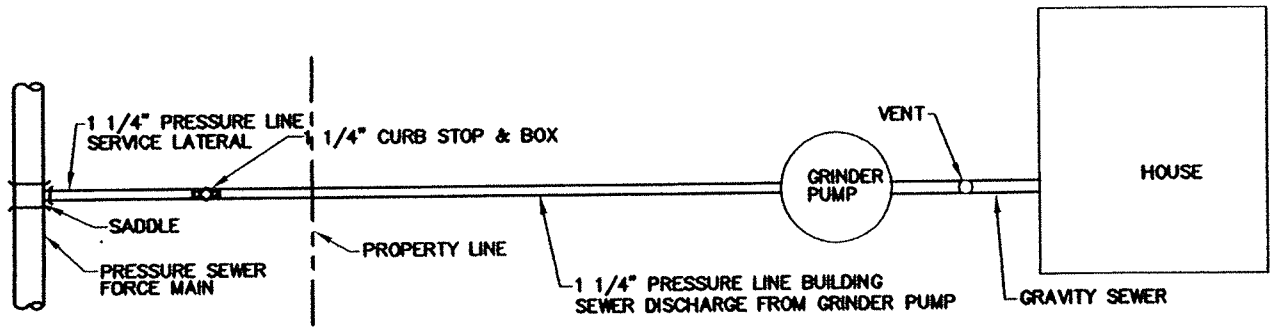


PLAN
N.T.S.

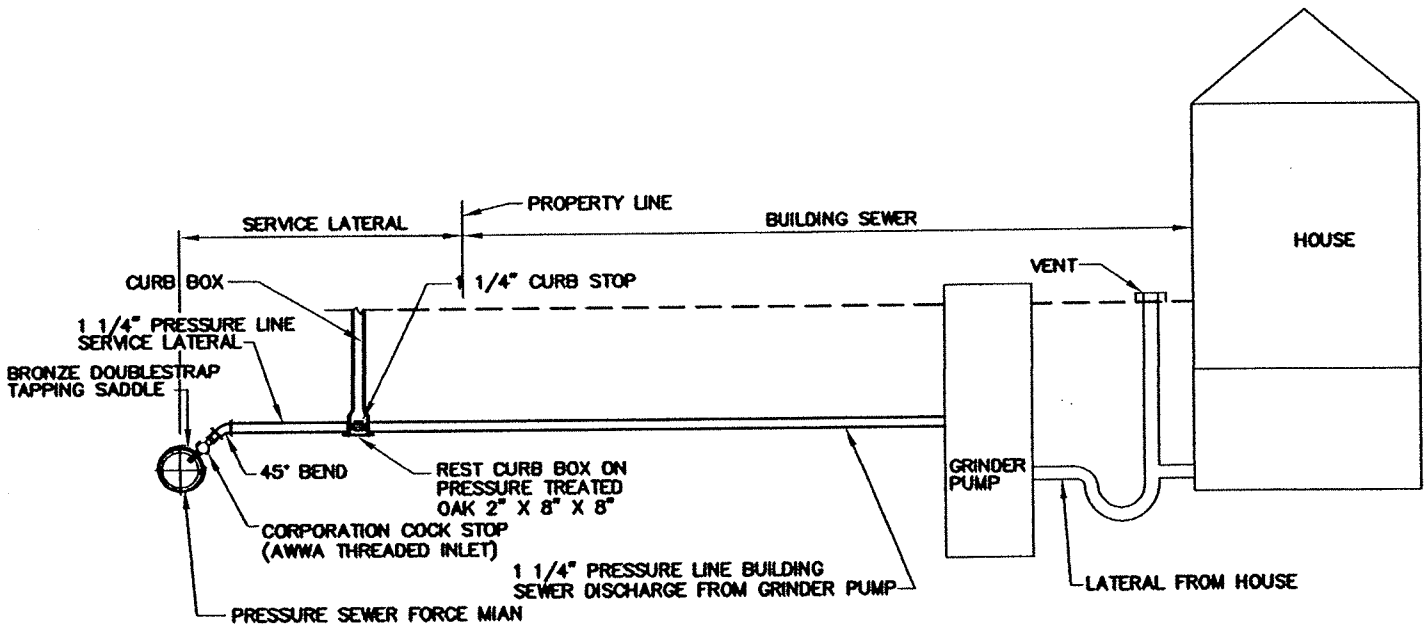


SECTION
N.T.S.

TYPICAL DETAIL	
<u>GRINDER PUMP DISCHARGE</u> <u>CONNECTION TO</u> <u>GRAVITY SEWER</u>	
CONEMAUGH TWP. SOMERSET CO.	PLATE XVI



PLAN
N.T.S.



SECTION
N.T.S.

TYPICAL DETAIL		
<u>GRINDER PUMP DISCHARGE</u> <u>CONNECTION TO A PRESSURE</u> <u>SEWER FORCE MAIN</u>		
CONEMAUGH TWP. SOMERSET CO.	PLATE	XVII